



CONNECTION RODS



Functions

Connection rod for the operating mechanism.

Technical Features

Specially made to be machined, as in the figure, by the semiautomatic machines PM008 and PA009 and by the automatic machines GS003, GS008, GS009 and TF10.

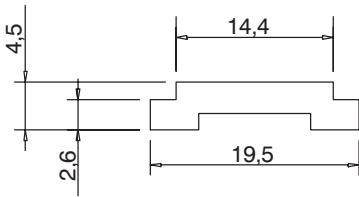
Roll packing makes for considerable reductions in overall dimensions, since a roll of diameter 90 cm contains the equivalent of over 40 bars of 6 m of aluminum.

The rod extension element enables fitting the incorrect movement safety keeper and the fastening keeper on the central stile on casements with two sashes where the bolt is located.

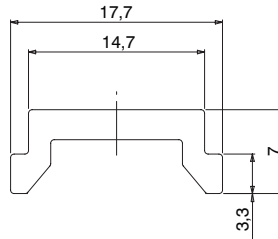
Materials

Fibreglass-reinforced polyamide

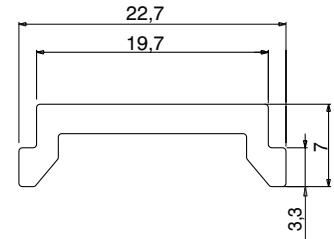
Art. 03524N



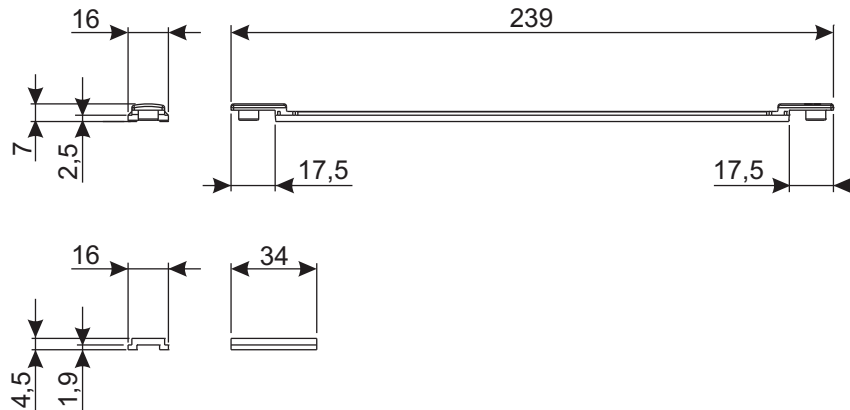
Art. 03525



Art. 03526N



Art. 02187-02187K



Item code	Description	Groove (mm)	Colour	Plain - no finish	Anodized Elox	Painted	Trend/Oro Brass	Pieces per pack
02187	ROD EXTENSION COMPONENT	15 ÷ 20	Black	X				20
02187K	ROD EXTENSION COMPONENT	15 ÷ 20	Grey	X				20
03524N	CONNECTION ROD	15 ÷ 20	-	X				1
03525	CONNECTION ROD	15 ÷ 18	-	X				1
03526N	CONNECTION ROD	20 ÷ 23	-	X				1